

DACIA

DACIA SANDERO



WARNING!
ACCURACY
LAYOUT

1

EXPLORE YOUR SANDERO

DISCOVER



WARNING!
NEW
VISUAL

2

YOUR SANDERO FOR DAILY USE

DISCOVER



WARNING!
NEW
VISUAL

3

EQUIPMENT AND TECHNICAL CHARACTERISTICS

DISCOVER



4

THE DACIA SPIRIT: GOOD THINKING

DISCOVER



JUST ESSENTIAL

DAEWOO
NEW
VISUAL



A UNIQUE ALLY FOR THE DAY-TO-DAY

Dacia Sandero fits better than ever with your lifestyle and desires. Its lines combine robustness and dynamism in a sleek and distinctive design. Stylish, practical, modern, it offers the essential equipment and comfort to make every journey a moment of pleasure.



THE POWER OF WHAT IS ESSENTIAL

Admire the style of Dacia Sandero, a combination of robustness and dynamic lines: simply stunning. Its front and rear Y-shaped brand light puts the finishing touches on a strong and modern identity. Its LED dipped headlights will light up the road at night like never before.



The black radiator grille with touches of white adds to its personality. The Sandero spirit that you enjoy so much is also found in the details, such as the **glossy black** door mirrors, **the shark fin antenna** and the **16" alloy wheels**.

*16" Randia alloy wheels are standard on the Journey version and optional on the Expression version.



LED dipped headlights



Rear Y-shaped brand light



ALL YOU NEED IS WITHIN EASY REACH

From the moment you step in thanks to the automatic remote opening, you feel comfortable in a welcoming and modern setting. Its panoramic dashboard combines elegance and efficiency. The driver-focused dashboard provides easy access to all the functions: intuitive heating and air-conditioning system controls, built-in 8-inch screen with navigation and replication of the applications on your smartphone via WIFI and USB, front and rear parking sensors, as well as height- and depth-adjustable steering wheel. The electric parking brake proves highly practical for daily use.



Keyless entry and start card



Instrument panel with digital display

[CLICK AND CONFIGURE](#)

WARNING!
link to the configurator to be integrated by the country

[BACK TO CONTENTS](#)

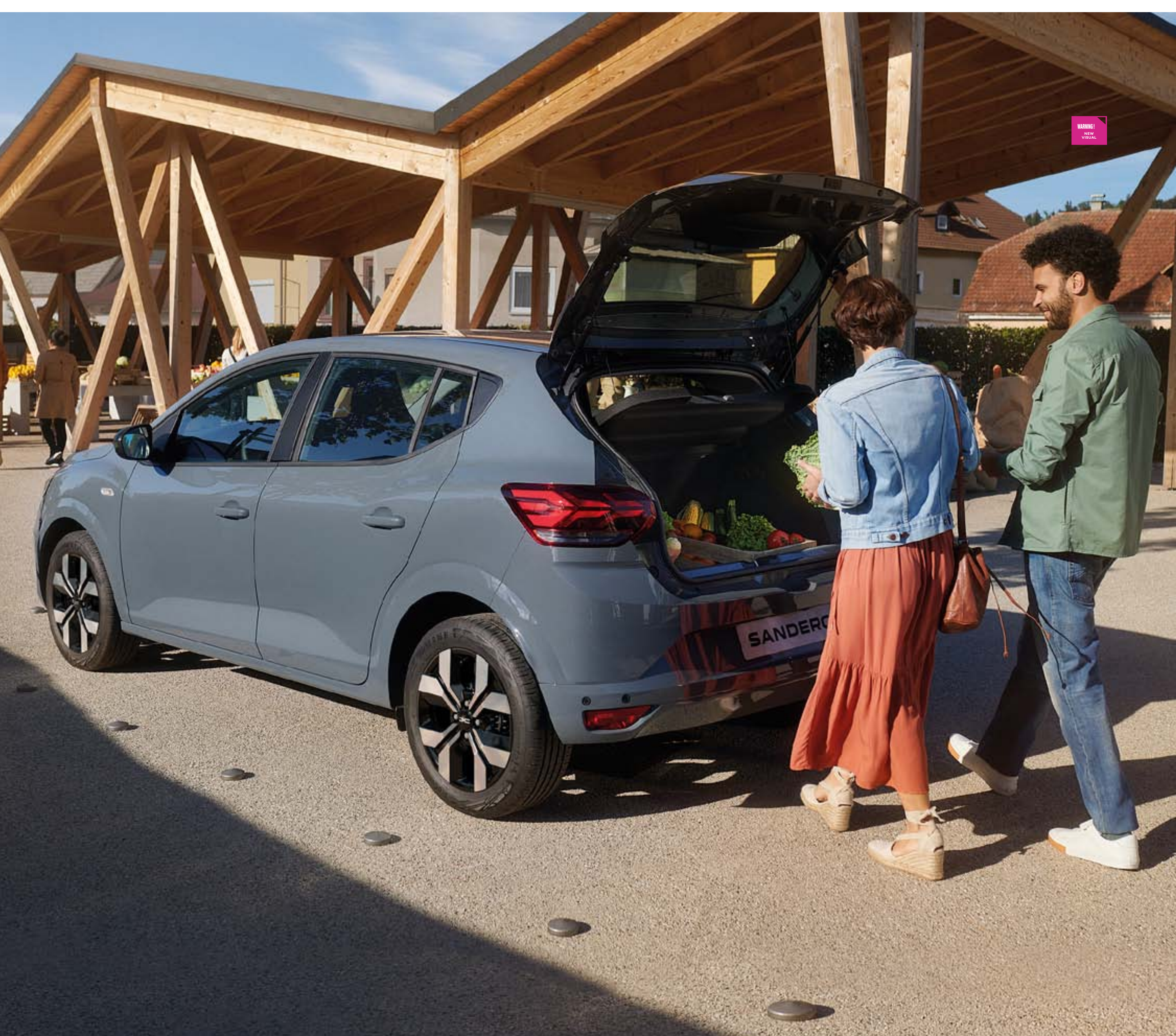
SPACIOUSNESS AND VERSATILITY

Thanks to one of the best interior spaces in its category, generous storage compartments and a spacious trunk, the Dacia Sandero adapts to your daily life. And always benefit from the latest features that allow you to drive with peace of mind.



TAKE CONTROL OF THE SPACE

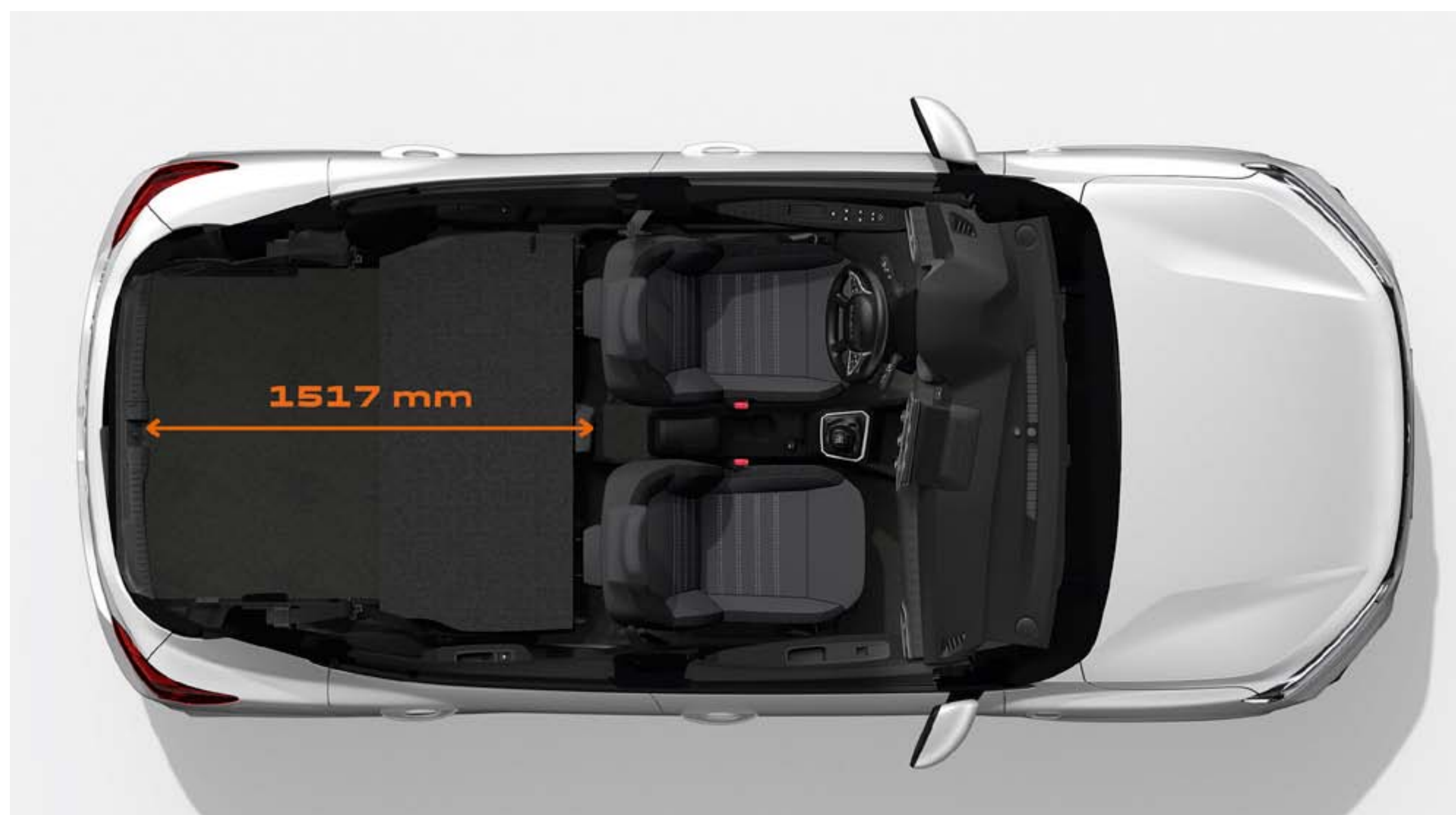
Dacia Sandero perfectly adapts to your life. And it has the resources, with its large boot and rear folding bench seat, to adapt the space to your requirements. It also comes with a lot of storage space: cup holders, door bin, closed glovebox and storage console that perfectly meet your organisational requirements.



The generous width at the shoulders for the driver and the leg room for passengers in the rear provide optimum comfort. Sandero offers a decidedly warm welcome.



Boot volume: 410 litres



Rear bench seat folded down: boot volume of 1,108 litres



As an option, central armrest storage: 1.2 litre



CHOOSE YOUR MULTIMEDIA PREFERENCES

Dacia Sandero has three comprehensive multimedia offers, so it's up to you to choose what you want: the clever new **Media Control (available according to country)**, controlled from your smartphone and integrated into the design of the dashboard, allows you to control the radio, music, Bluetooth® connection, USB and telephony.

Media Display adds voice recognition to its 8" touchscreen. Media Nav supplements its features with built-in navigation. Media Display and Media Nav are compatible with Android Auto™ and Apple CarPlay™ smartphone mirroring. The latter is available wired on Media Display and with Wi-Fi on Media Nav. You can also enjoy enhanced sound with six speakers located throughout the cabin, available on Media Nav.

Android Auto™ is a Google Inc. brand.
Apple CarPlay™ is an Apple Inc. brand.



New Media Control



Media Display

SAFETY ALL THE TIME

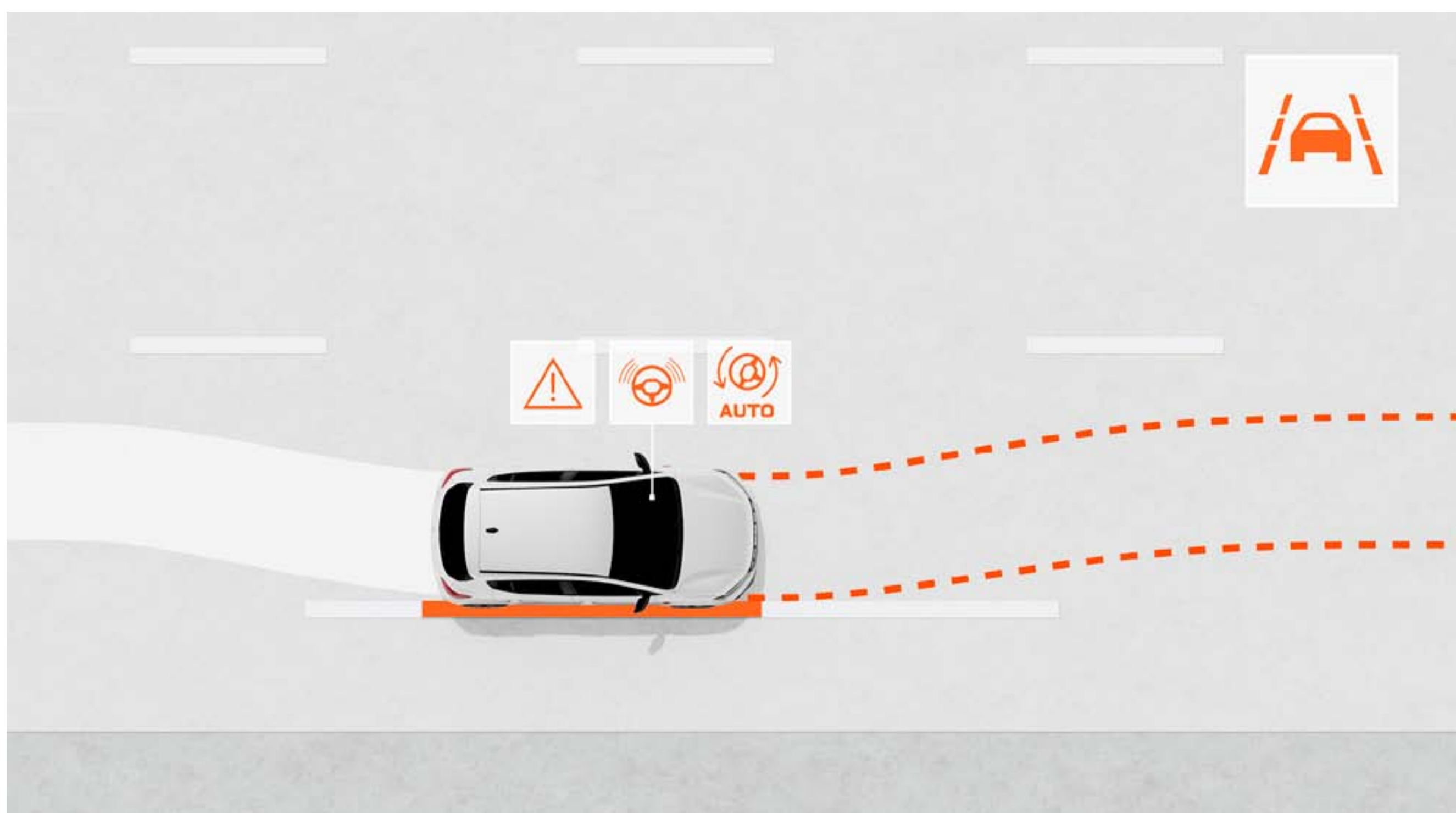
WARNING!
NEW
PAGE

At Dacia, safety has always been at the heart of our concerns. Built on the latest platform designed for our vehicles, Dacia Sandero has a reinforced body structure and new-generation assistance systems. Thanks to the My Safety button, you can deactivate some of these aids at each start-up as well as when the vehicle is running. With Dacia, drive with peace of mind.



AUTOMATIC EMERGENCY BRAKING WITH PEDESTRIAN/CYCLIST DETECTION

This system prevents the risk of frontal collisions involving other vehicles, pedestrians or cyclists straight ahead and at junctions. It alerts the driver and can automatically brake the vehicle if necessary.



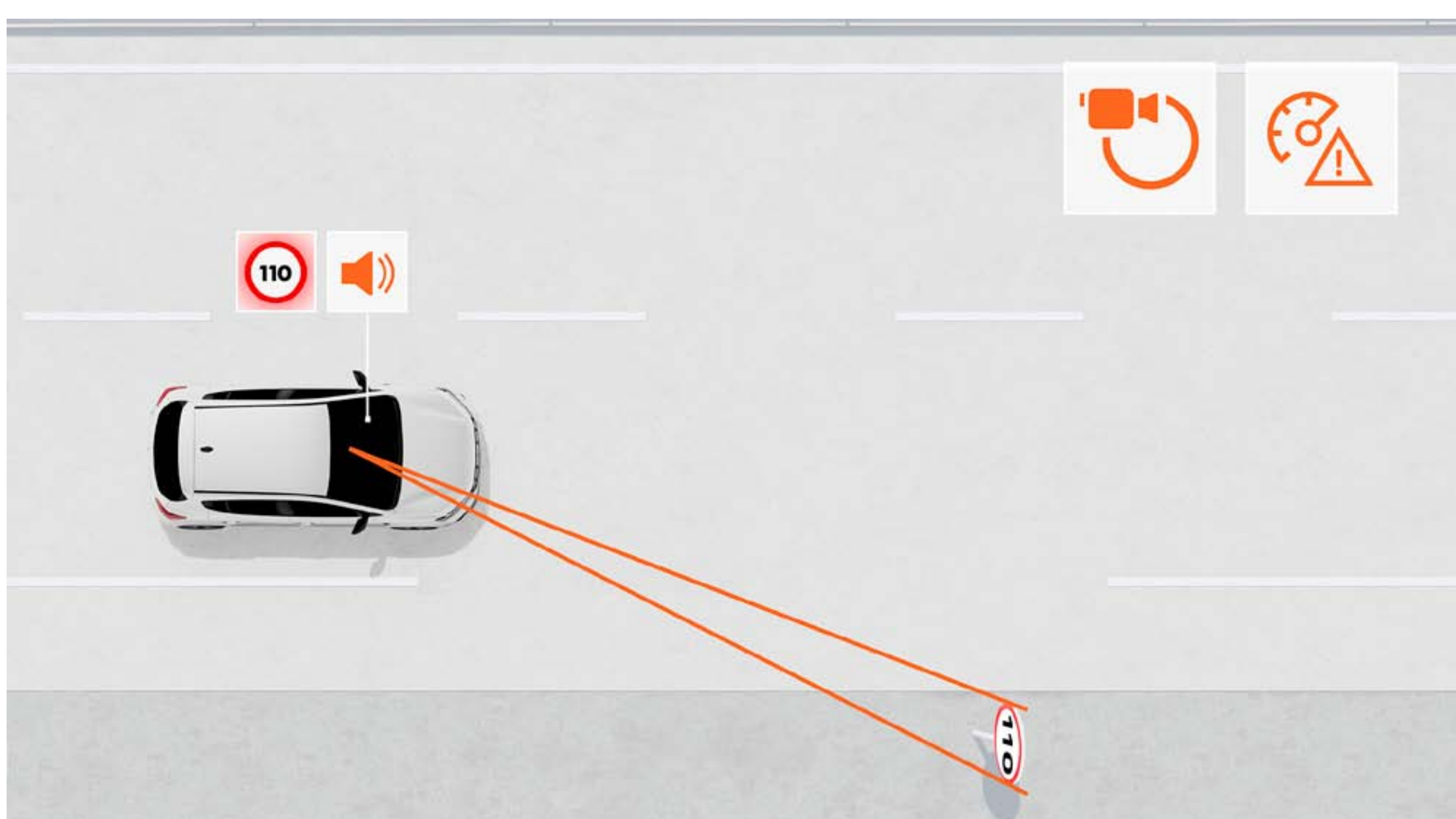
LANE KEEPING ASSIST

This assistance system monitors the vehicle's path in its lane and corrects it if necessary by automatically steering it.



DRIVER FATIGUE DETECTION SYSTEM

This helps warn the driver if fatigue is detected by analysing several parameters – including movements of the steering wheel – to encourage them to take a break.



TRAFFIC SIGN RECOGNITION WITH SPEED ALERT

This system provides a reliable real-time indication of the maximum speed on the road and warns the driver if they exceed the speed limit with visual and audible alerts (which can be disabled).

[CLICK AND CONFIGURE](#)

WARNING!
Link to the
configurator to
be integrated
by the country

[BACK TO CONTENTS](#)

DISCOVER THE EQUIPMENT

COLOUR PALETTE



HUBCAPS & RIMS



INTERIOR TRIMS



ACCESSORIES



ENGINES



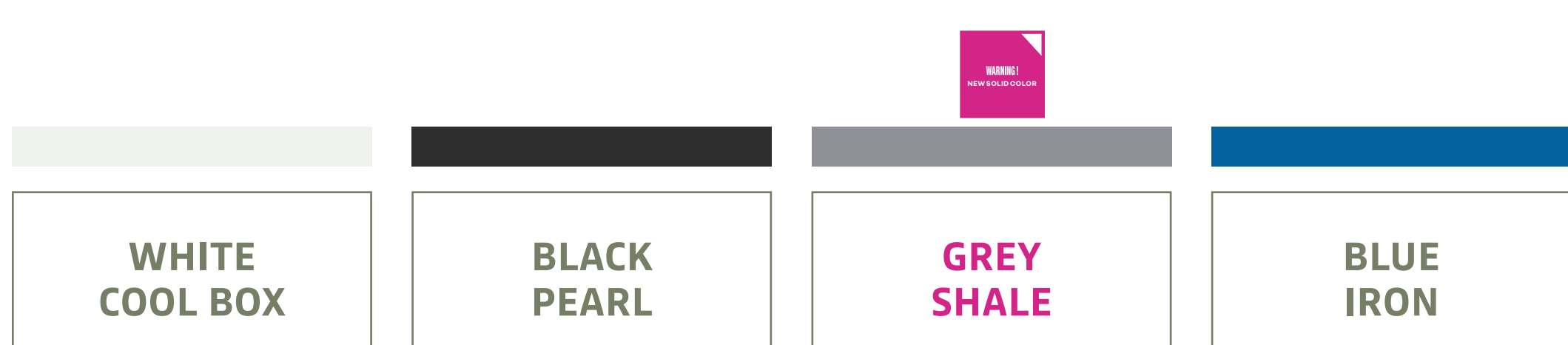
EQUIPMENT & OPTIONS



DIMENSIONS



COLOUR PALETTE



GLACIER WHITE⁽¹⁾



PEARL BLACK⁽²⁾



GREY SHALE^{(2)*}



BLUE IRON^{(2)*}



URBAN GREY⁽¹⁾



CEDAR GREEN^{(2)*}

(1) Opaque paint.
(2) Metallic paint.
*Not available on ESSENTIAL.
Non-binding photos.

DOWNLOAD DACIA AR

WARNING!
Link to be integrated by the country

HUBCAPS AND RIMS



15" ELMA HUBCAPS



16" ATARA FLEXWHEELS



16" RANDIA ALLOY WHEELS

[DOWNLOAD DACIA AR](#)

WARNING!
link to be
integrated by the
country

INTERIOR TRIMS



ESSENTIAL



MAIN EQUIPMENT

EXTERNAL APPEARANCE

- Black grille with Dacia logo and white decorative inserts
- LED brand light
- Automatic activation of daytime LED running lights
- Body tone front/rear bumpers
- Black exterior door handles
- Black door mirrors
- 15" Elma hubcaps

INTERIOR APPEARANCE

- Fog Grey airvent surrounds and white sliders
- Titanium Black door panels
- Black interior door handles
- Split-fold rear bench 1/3 & 2/3
- Special Essential upholstery

ACTIVE AND PASSIVE SAFETY

- My Safety button to manage driver assistance systems
- Anti-locking braking system (ABS) + Emergency Brake Assist (EBA)
- Automatic emergency suburban braking with pedestrian/cyclist detection
- Electronic Stability Control (ESC) with Hill Start Assist (HSA)
- Emergency call (E-call)
- Event (accident) data logger
- Vehicle pre-configuration for alcolock immobiliser
- traffic sign recognition with speed alert
- Lane change warning
- Lane keeping assist
- Driver fatigue detection system
- Front / rear "Rescue Code" QR Code
- Driver's front airbag / passenger's side airbag, can be deactivated
- Shoulder and curtain side airbags
- Rear parking sensors

- Tyre pressure detection
- Tyre inflation kit
- Isofix mounts for child seats in both side rear seats

DRIVING AND CONTROLS

- Rain and light sensors
- Power assisted steering
- Stop & Start
- On-board computer: distance travelled, average speed, range, average consumption (including for LPG)
- Speed limiter / cruise control

VISIBILITY

- Door mirrors with interior manual adjustment

COMFORT

- Electric door locking with radio frequency remote control
- Automatic locking of doors when in motion
- Front electric driver and passenger windows
- Height-adjustable steering wheel
- Front ceiling light
- 1 front 12 V socket

MULTIMEDIA & AUDIO

- New Media Control: DAB radio with steering wheel controls, jack socket and 1 USB-C socket, 2 speakers, Bluetooth® telephone system with satellite controls on the steering wheel, fixed smartphone holder on the dashboard, new application for Dacia Media Control smartphone

OPTIONS

- Spare wheel + jack (except LPG)
- Manual heating and air conditioning system

EXPRESSION

NEW
FACE



MAIN EQUIPMENT EXPRESSION = ESSENTIAL+

EXTERNAL APPEARANCE

- Body-colour door mirrors
- Body tone exterior door handles
- 16" Atara flexwheels

INTERIOR APPEARANCE

- Steel grey interior door handles
- Fabric upholstery on the dashboard and front door armrests
- Special Expression upholstery
- Height- and depth-adjustable soft feel steering wheel

ACTIVE AND PASSIVE SAFETY

- Rear-view camera*
- Front parking distance control*
- Blind spot warning*

VISIBILITY

- Front fog lights
- Electrically adjustable door mirrors

COMFORT

- Manual heating and air conditioning system
- One-touch driver-seat window control (with anti-trapping function), non one-touch passenger side
- Heated front seats*

MULTIMEDIA & AUDIO

- Media Display: multimedia system with 8" touchscreen, DAB digital radio, smartphone mirroring via USB cable, Bluetooth® connection, satellite controls on steering wheel, 4 speakers, 1 USB-C socket and 1 USB-A socket

OPTIONS

- Automatic heating and air conditioning system
- 16" Randia alloy wheels
- Media Nav: multimedia system with 8" touchscreen, navigation with Map Care (map of Western Europe or Eastern Europe [depending on country] + 6 free updates for 3 years), DAB digital radio, smartphone mirroring via USB cable or wireless via Wi-Fi, Bluetooth® connection, steering wheel satellite controls, 6 speakers (4 speakers + 2 tweeters), 1 USB-C socket and 1 USB-A socket

*Available as part of a pack.



MAIN EQUIPMENT JOURNEY = EXPRESSION+

EXTERNAL APPEARANCE

- 16" Randia alloy wheels
- Black door mirrors
- Shark fin antenna

INTERIOR APPEARANCE

- Front door sills
- Floor mats

ACTIVE AND PASSIVE SAFETY

- Rear view camera
- Front parking distance control
- Blind spot warning

DRIVING AND CONTROLS

- Hands-free card

COMFORT

- Automatic heating and air conditioning system
- Modular boot with twin-level floor

MULTIMEDIA & AUDIO

- Removable telephone holder

OPTIONS

- Heated front seats
- Media Nav: multimedia system with 8" touchscreen, navigation with Map Care ([map of Western or Eastern Europe \[depending on country\]](#)) + 6 free updates for 3 years), DAB digital radio, smartphone mirroring via USB cable or wireless via Wi-Fi, Bluetooth® connection, steering wheel satellite controls, 6 speakers (4 speakers + 2 tweeters), 1 USB-C socket and 1 USB-A socket
- Comfort Pack: electric parking brake with armrest with storage, 1 12V socket and 1 USB-C socket in the rear

[CLICK AND CONFIGURE](#)

WARNING!
link to the configurator to be integrated by the country

[BACK TO CONTENTS](#)

ACCESSORIES



DACIA ROOF BOX

Increase your vehicle's loading capacity and travel without compromise! Practical, robust and attractive, it is also secure and can be locked shut.



Non-binding photo

BICYCLE RACK ON TOWBAR

Can be quickly fitted to the towbar without any adjustments: the most practical way to carry up to three bikes. Foldable and tiltable, the boot is always accessible, even when bikes are mounted.



COMFORT TEXTILE FLOOR MATS AND FRONT DOOR SILLS

Effectively preserve the floor of the passenger compartment with custom-made textile mats. Door sills with Sandero markings, which are quick to install and easy to maintain, will protect your vehicle's doorways.



WIRELESS SMARTPHONE ON CENTRE CONSOLE

Ideal for recharging your mobile telephone in the vehicle when driving, simply by placing it on the charging base. Maximum convenience and simplicity!



EASYFLEX MODULAR BOOT PROTECTION

Cover the entire loading space for transporting bulky items. Versatile and waterproof, it folds and unfolds very easily, adapting to the position of the rear seats, even when folded down.



SEAT ARMREST

For optimum driver comfort, this armrest is height-adjustable, movable and liftable.



REAR VIEW CAMERA

Make your manoeuvres more comfortably! In reverse gear, view the area behind your vehicle directly on the navigation screen.



BOOT LINER

Can be fitted quickly by adapting to the shape of your boot and effectively protects its original carpeting with its high edges. The semi-rigid design makes it easy to take out and clean.

[DOWNLOAD THE ACCESSORIES BROCHURE](#)

WARNING!
link to be
integrated by the
country

ENGINES

	SCe 65	TCe 90	TCe 90 CVT	ECO-G 100
SANDERO ENGINES				
Fiscal rating (CV) (France)	4	5	5	5
Fuel	Unleaded fuel (E10)	Unleaded fuel (E10)	Unleaded fuel (E10)	Unleaded fuel (E10)/LPG
Max. power kW EEC (hp) at engine speed of (rpm)	49 at 6,300	67 at 4,600-5,000	67 at 4,500-5,000	LPG mode: 74 at 4,600-5,000 Petrol Mode: 67 at 4,800-5,000
Max. torque Nm CEE (m.kg) at an engine speed of (rpm)	95 at 3,600	160 at 2,100-3,750	142 at 1,750-3,750	LPG mode: 170 at 2,000-3,500 Petrol Mode: 160 at 2,100-3,750
Gearbox type	Manual 5-speed	Manual 5-speed	Auto-CVT	Manual 5-speed
Injection type	Naturally-aspirated engine	Turbo Indirect injection	Turbo Indirect injection	Turbo Indirect injection
Capacity (cm ³)	999			
Number of cylinders/valves	3/12			
Emission control standard	Euro 6 DFull			

CHASSIS AND STEERING

Tyre dimensions	185/65 R15 88H - 195/55 R16 87H			
Steering - Turning circle, kerb to kerb (m)	10.53			
Front suspension	Pseudo McPherson with lower wishbone, spiral spring suspension with telescopic hydraulic shock absorbers and anti-roll bar			
Rear suspension	Semi-rigid axle with anti-roll bar spring suspension and telescopic hydraulic shock absorbers			

PERFORMANCE

				LPG	Petrol
Maximum speed (km/h)	158	175	169	177	174
0-100 km/h (s)	16.7	12.2	13.4	12.2	
Mid-range acceleration: 80-120 km/h (s)	in 4 th 5 th	14.9 25.6	11.6 20.1	11.6	12 20.2

FUEL CONSUMPTION AND EMISSIONS⁽¹⁾

Approval protocol	WLTP ⁽²⁾				
Fuel tank capacity fuel (l)	50	50	50	Petrol: 50 LPG: 40	
				LPG	Petrol
CO ₂ (g/km) Emissions Best Case - Worst Case	120/121	119/120	131/140	108/109	122/122
Fuel consumption during combined cycle (l/100 km) Best Case - Worst Case	5.3/5.4	5.3/5.3	5.8/6.2	6.7/6.7	5.4/5.4

VOLUMES AND WEIGHTS

	ESSENTIAL / EXPRESSION & JOURNEY			
Minimum curb weight in running order	1,012/1,036	1,048/1,072	1,084/1,098	1,103/1,128
Maximum kerb weight in running order	1,059/1,074	1,093/1,110	1,117/1,136	1,134/1,151
Maximum permissible laden weight	1,505/1,525	1,535/1,565	1,565/1,590	1,580/1,605
Gross train weight	2,485/2,505	2,635/2,665	2,665/2,690	2,680/2,705
Max. braked towing weight	980/980	1,100/1,100	1,100/1,100	1,100/1,100

(1) Official consumption and emissions according to applicable regulations. (2) WLTP (Worldwide Harmonised Light Vehicle Test Procedures): this new protocol provides results much closer to those found in daily use compared to the NEDC protocol. Fuel consumption and CO₂ emissions are certified using a standard, regulatory method. This method is identical for all manufacturers and enables vehicles to be compared.

[CLICK AND CONFIGURE](#)



[BACK TO CONTENTS](#)

EQUIPMENT AND OPTIONS



	ESSENTIAL	EXPRESSION	JOURNEY
EXTERNAL APPEARANCE			
LED brand light	•	•	•
Automatic activation of daytime LED running lights	•	•	•
Grille	White	White	White
Dacia rear lettering	White	White	White
Front/rear bumpers	Body coloured	Body coloured	Body coloured
Exterior door handles	Black	Body coloured	Body coloured
Door mirrors	Black	Body coloured	Painted black
15" sheet metal Elma wheels	•	-	-
16" Atara flexwheels	-	•	-
16" Randia alloy wheels	-	o	•
Shark fin antenna	-	-	•
INTERIOR APPEARANCE			
Centre of air vents	Black and white sliders	White and white sliders	White and white sliders
Air vent surrounds	Fog Grey	Fog Grey	Fog Grey
Interior door handles	Black	Steel Grey	Steel Grey
Upholstery on the dashboard and front door armrests/trim on the front door panels	-/-	Fabric/-	Fabric/-
Split-fold rear bench 1/3 & 2/3	•	•	•
Soft feel steering wheel	-	•	•
Front door sills	-	-	•
Floor mats	-	-	•
Special Essential upholstery	•	-	-
Special Expression & Journey upholstery	-	•	•
ACTIVE AND PASSIVE SAFETY			
My Safety button to manage driver assistance systems	•	•	•
Anti-locking braking system (ABS) + Emergency Brake Assist (EBA)	•	•	•
Automatic emergency suburban braking with pedestrian/cyclist detection	•	•	•
Electronic Stability Control (ESC) with Hill Start Assist (HSA)	•	•	•
Emergency call (E-call)	•	•	•
Event (accident) data logger	•	•	•
Vehicle pre-configuration for alcolock immobiliser	•	•	•
Traffic sign recognition with speed alert	•	•	•
Lane change warning	•	•	•
Lane keeping assist	•	•	•
Driver attention alert	•	•	•
Front / rear "Rescue Code®" QR Code	•	•	•
Driver's front airbag / passenger's side airbag, can be deactivated	•/•	•/•	•/•
Shoulder and curtain side airbags	•	•	•
Rear parking sensors	•	•	•
Rear view camera	-	▣	•
Front parking distance control	-	▣	•
Blind spot warning	-	▣	•
Electric parking brake with armrest with storage, 1 12V socket and 1 USB-C socket in the rear	-	-	▣
Tyre pressure detection	•	•	•
Spare wheel + jack (except LPG)	o	o	o
Tyre inflation kit	•	•	•
Isofix child seat mounting system on rear side seats	•	•	•

- : non disponible. • : disponible de série. o : disponible en option. ▣ : disponible en pack

EQUIPMENT AND OPTIONS (CONTINUED)

DRIVING AND CONTROL INSTRUMENTS

Rain and light sensors	•	•	•
Hands-free card	-	-	•
Power assisted steering	•	•	•
Stop & Start	•	•	•
On-board computer: distance travelled, average speed, range, average fuel consumption (including LPG)	•	•	•
Speed limiter / cruise control	•	•	•

VISIBILITY

Front fog lights	-	•	•
Door mirrors with interior manual adjustment	•	-	-
Electrically adjustable door mirrors	-	•	•

COMFORT

Manual heating and air conditioning system	0	•	-
Automatic heating and air conditioning system	-	0	•
Electric door locking with radio frequency remote control	•	•	•
Automatic locking of doors when in motion	•	•	•
Driver and passenger electric front windows	•	•	•
One-touch driver-seat window control (with anti-trapping function), non one-touch passenger side	-	•	•
Electric rear windows	-	•	•
Height- and reach-adjustable steering wheel	•/-	•/•	•/•
Front ceiling light	•	•	•
1 front 12 V socket	•	•	•
Heated front seats	-	▣	0
Modular boot with twin-level floor	-	-	•

MULTIMEDIA & AUDIO

New Media Control: DAB radio with steering wheel controls, jack socket and 1 USB-C socket, 2 speakers, Bluetooth® telephone system with satellite controls on the steering wheel, fixed smartphone holder on the dashboard, new Dacia Media Control smartphone app	•	-	-
Media Display: multimedia system with 8" touchscreen, DAB digital radio, smartphone mirroring via USB cable, Bluetooth® connection, satellite controls on steering wheel, 4 speakers, 1 USB-C socket and 1 USB-A socket	▣	•	•
Media Nav: multimedia system with 8" touchscreen, navigation with MAP CARE (map of Western Europe or Eastern Europe [depending on country] + 6 free updates for 3 years), DAB digital radio, smartphone mirroring via USB cable or wireless via Wi-Fi, Bluetooth® connection, satellite controls on steering wheel, 6 speakers (4 loudspeakers +2 tweeters), 1 USB-C socket 1 USB-A socket	-	▣	▣
Removable telephone holder	-	-	•

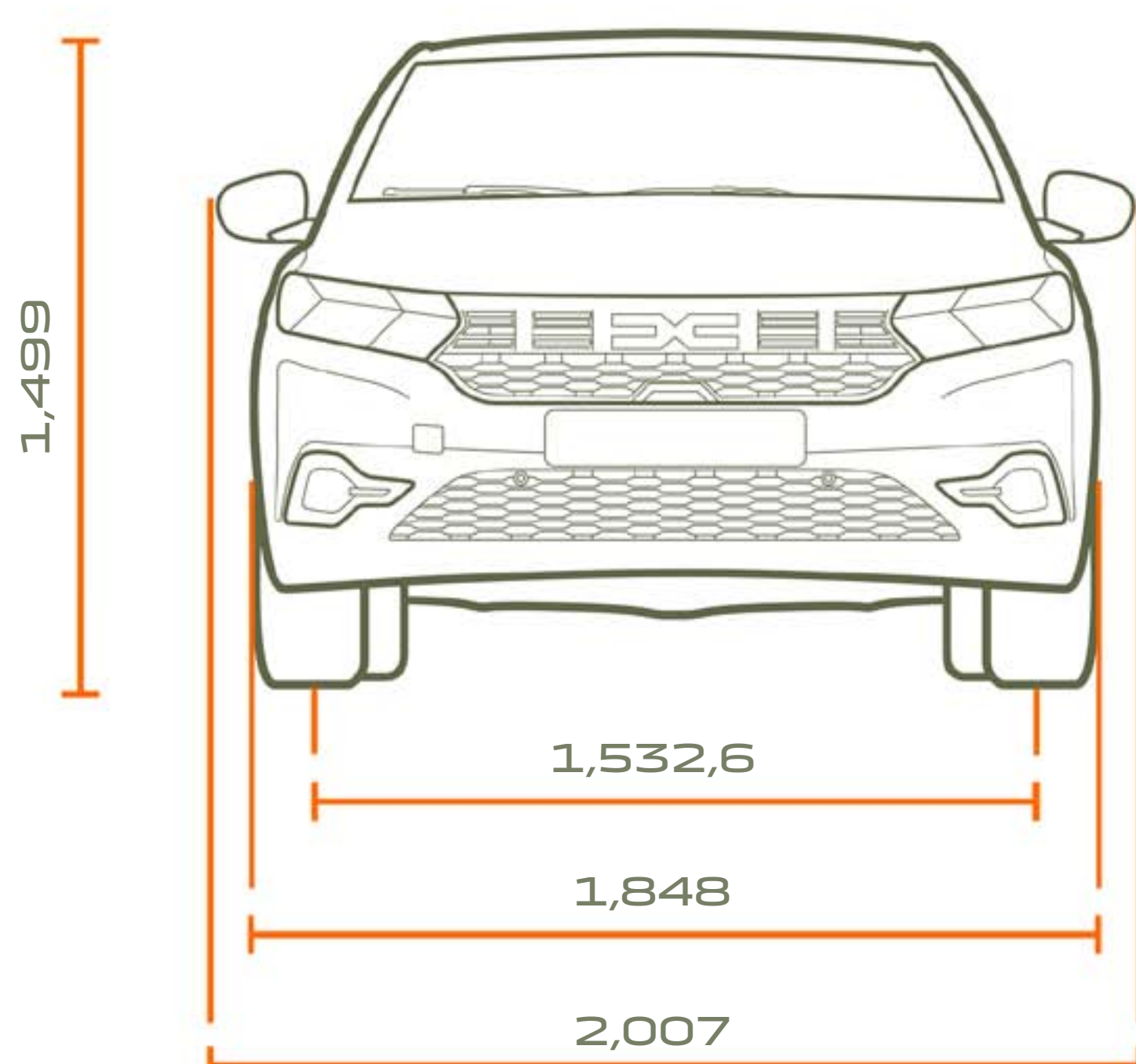
- : not available. • : available as standard; 0 : available as an option. ▣ : available as a pack.

[CLICK AND CONFIGURE](#)



[BACK TO CONTENTS](#)

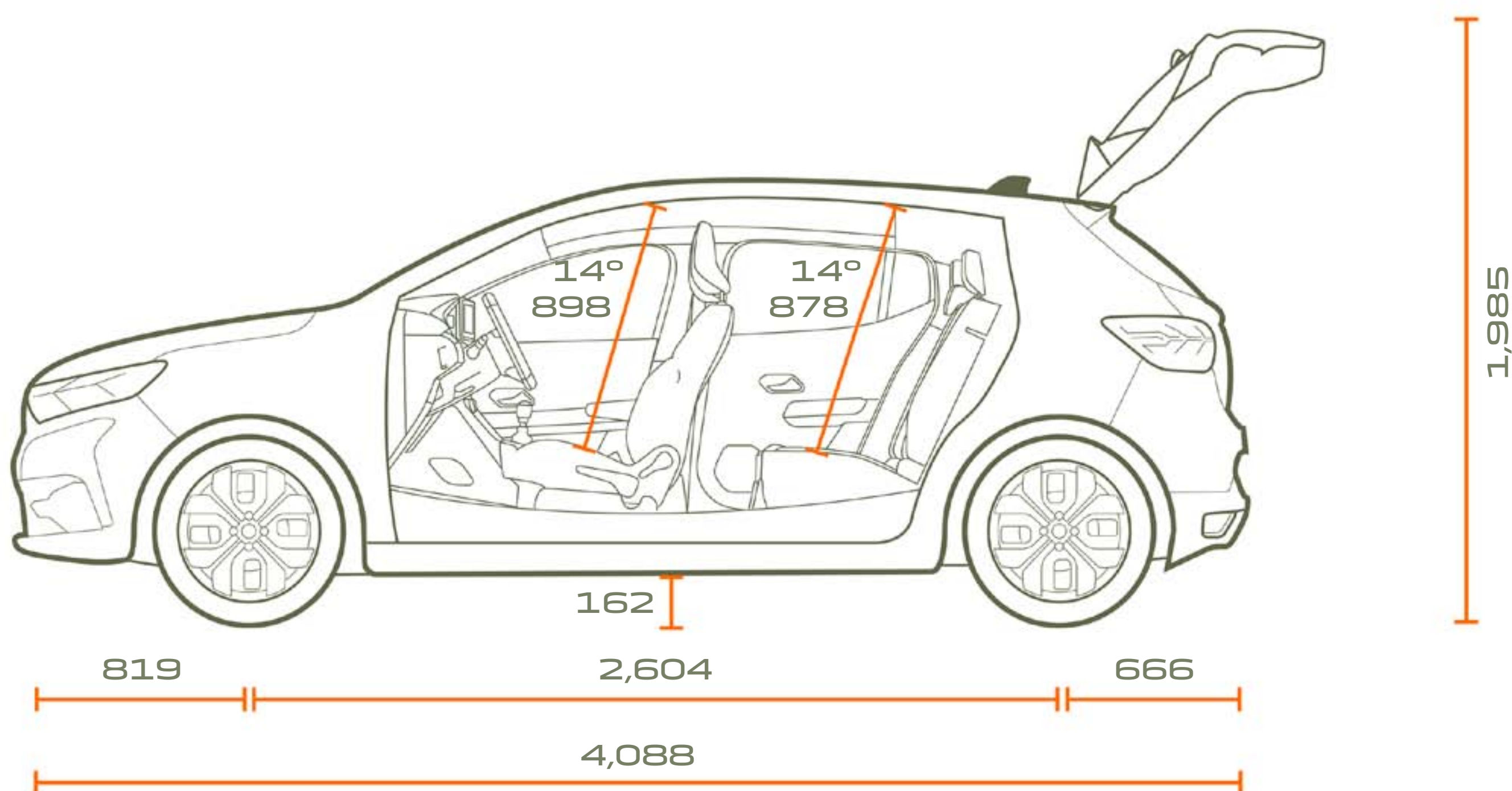
DIMENSIONS



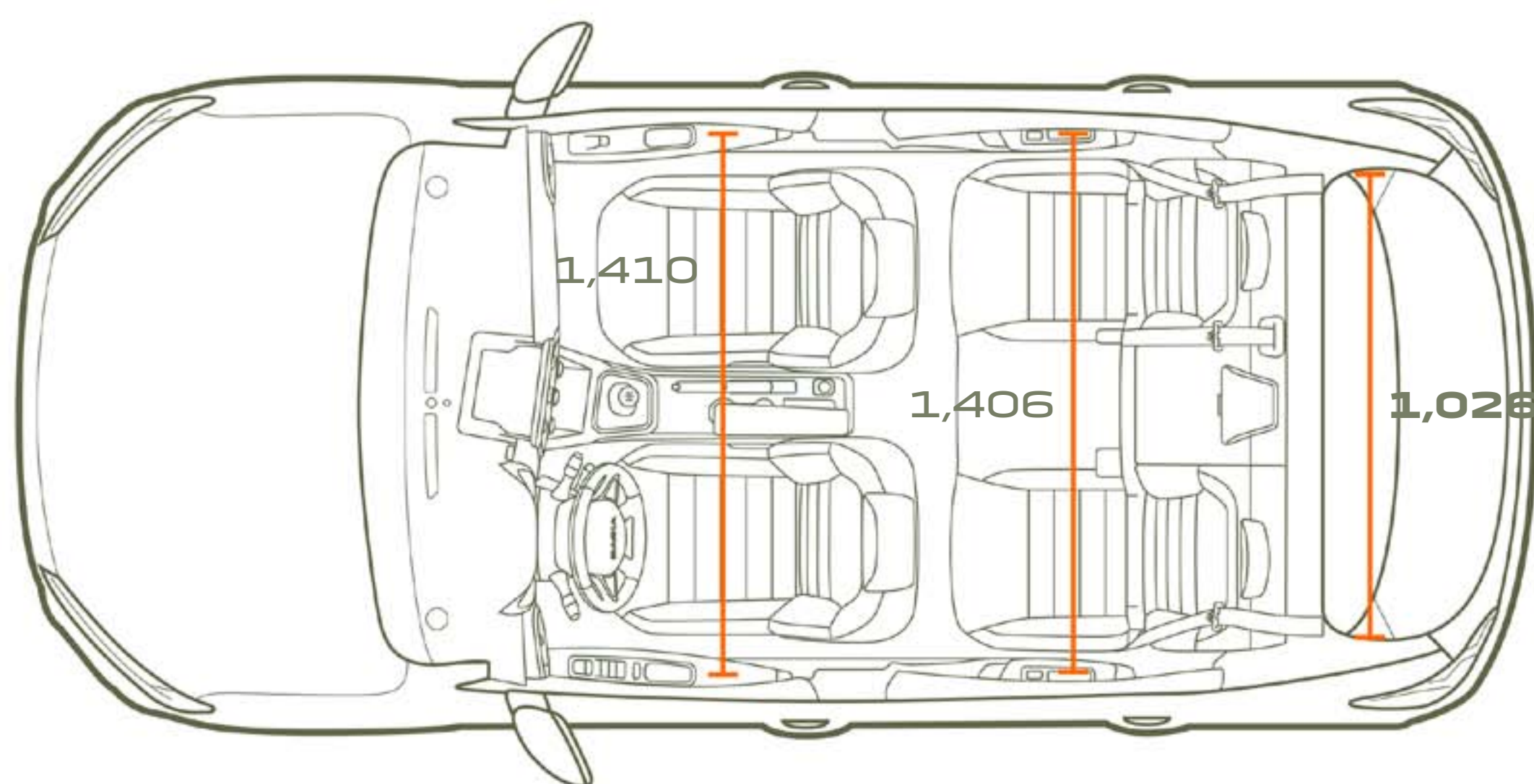
FRONT VIEW



REAR VIEW



SIDE-FACE VIEW



TOP VIEW

BOOT
(IN DM³ - VDA STANDARD / LITERS)

Minimum boot volume (ISO 3832)	328/410
Maximum boot volume (ISO 3832)	1,108/1,455
Volume under false floor (ISO 3832)	78

AN INCREDIBLE SUCCESS STORY

At Dacia, we offer practical and robust vehicles at the best price. Our models have a distinctive style without unnecessary frills, equipped with the most reliable and approved technologies, all at an unbeatable price. In just fifteen years, we have changed the game and disrupted the automotive market.





TO GO FURTHER

CLICK AND CONFIGURE

BOOK A TEST DRIVE

FIND YOUR DEALERSHIP



Access DACIA social networks:



The contents of this brochure were accurate and up-to-date at the time of publication. This document was produced based on pre-series or prototype vehicles. As part of its policy of continuous product improvement, Dacia reserves the right, at any time, to make changes to the specifications and vehicles and accessories described and illustrated. These modifications are notified to Dacia dealers as soon as possible. Depending on the country of sale, versions may differ, and some equipment may not be available (as standard, optional, or accessory). Please consult your Dacia representative for the most up-to-date information. Due to the limitations of printing, the colors shown in this document may slightly differ from the actual paint colors or interior trim materials. All rights reserved. Reproduction, in whole or in part, of this brochure in any form or by any means is prohibited without the prior written authorization of Dacia.

Dacia recommends Castrol

PUBLICIS - PHOTO CREDITS: BAM; A. Bernier; Getty Images; Shutterstock; © RENAULT MARKETING 3D-COMMERCE – APRIL 2024